

Walkerdeck Offers Complete Cable Protection in Raceway and Activations



Walkerdeck Composite Cellular Floor Decking Systems provide the solution for wire and cable management to office areas in structural steel frame buildings. Walker now provides the industry's only floor decking systems that offer proper bend radius at corners and offer cable loop storage in the activations to meet communication standards. Walkerdeck provides excellent structural strength for composite floor design loads and long clear spans without the use of shoring.

The Walkerdeck System is fed with Trenchduct from the closet location(s). The Trenchduct is available in various widths: full, intermittent, or bottomless and is internally divided for power and communications cabling.

The Walker FloorPort™ Service Fitting Series is available in styles to fit practically any point-of-use application. FloorPort activations provide all three services to the workstation from one location.

UL fire classified designs are available for various hourly ratings on all cellular deck systems floor assemblies. All cellular deck, fittings and activations are UL Listed to U.S. and Canadian safety standards and provide ground continuity in accordance with electrical codes.


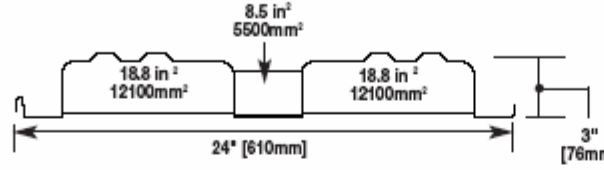

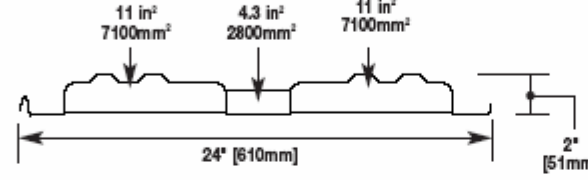


An economical steel floor decking for power and communication services.

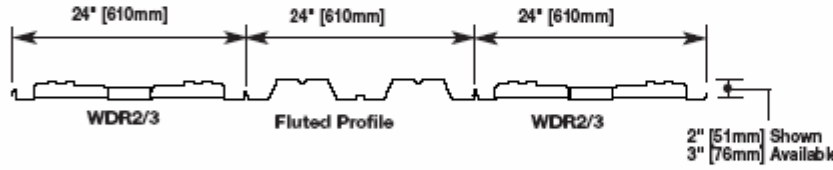
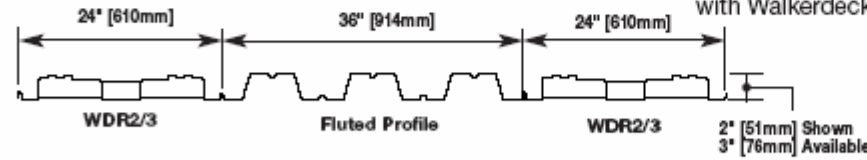
Features & Benefits

- **Bend radius protection.** Raceway and service fittings offer cable protection at corners that ensure cable performance.
- **Various sizes and capacities.** A Walker Cellular Deck System can be customized to the capacity required for the building project.
- **Datacom connectivity options.** Accepts industry standard and proprietary devices from a wide range of manufacturers to provide a seamless and aesthetically pleasing interface for voice, data, audio, and video applications at the point-of-use. A wide selection of data and bezel options available for use with Ortronics® TracJack® and Series II devices.
- **G90 galvanized steel construction.** Industry leader in cellular raceway corrosion protection.
- **UL scrub water approved activation kits.** New FloorPort Service Fittings provide protection from floor cleaning devices such as carpet scrubbers and wet mops.
- **AutoCAD® drawings.** Can be electronically transmitted for improved quality, cost, and time reduction of drawing transmittals.
- **Bundle placement plans.** Are provided to ensure correct placement of the floor system parts during unloading and hoisting to building framework.
- **WDR provides greatest structural strength.** Up to 13' 5" [4.089m] clear span without shoring in a three span application.
- **Zinc die-cast preset of single construction with integral flange.** Ensures no concrete leakage during pour.
- **Industry leading capacity with WDR3.** Power (8.5 in² [5,483mm²]) and communications (37.6 in² [24,252mm²]) will accommodate adds, moves, and changes long after others have reached their capacity.

Walkerdeck

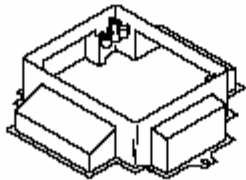
| Catalog No./Item | Description/Specifications |
|--|---|
| WDR3-20/20 -18/20 -18/18 -16/18 -16/16  | Walkerdeck Cellular Composite Metal Deck – Custom cut to length up to 45' [13.716m] long with prepunched preset openings on minimum 24" [610mm] centers. Suffix indicates gauge of steel. Wire fill capacity charts included on page 4. |
|  | |
| WDR2-20/20 -18/20 -18/18 -16/18 -16/16  | Walkerdeck Cellular Composite Metal Deck – Custom cut to length up to 45' [13.716m] long with prepunched preset openings on minimum 24" [610mm] centers. Suffix indicates gauge of steel. Wire fill capacity charts included on page 4. |
|  | |

Cellular and Noncellular Common Blend Modules Installations

| Catalog No./Item | Description/Specifications |
|--|---|
| Custom No. – Consult Factory | 4'-0 [1.219m] O.C. Blend – Fluted profile. 50% Cellular. Noncellular deck can be provided to be used in conjunction with Walkerdeck. |
|  | |
| Custom No. – Consult Factory | 5'-0 [1.524m] O.C. Blend – Fluted profile. 40% Cellular. Noncellular deck can be provided to be used in conjunction with Walkerdeck. |
|  | |

NOTE: Other modules available to suit your particular design. Consult factory.

Walkerdeck System Components

| Catalog No./Item | Description/Specifications |
|--|---|
| PK200 2" [51mm] PK250 2 1/2" [64mm] PK300 3" [76mm] PK325 3 1/4" [83mm] |  Triple Service Preset – Made of zinc die-cast construction with removable steel cap that is recessed for concrete pour. Preset is capable of housing two duplex power receptacles and up to eight voice/communication connectors. Preset has tapped openings for mounting brackets, adjusting ring and trim rings. The presets are field installed using 3/16" [4.8mm] pop rivet (not provided). |

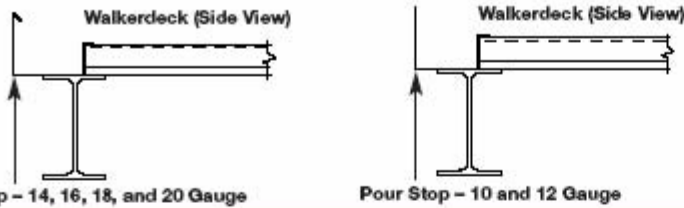
Walkerdeck System Components

Catalog No./Item

Description/Specifications

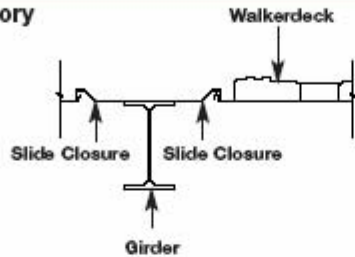
Custom No. – Consult Factory

Pour Stop – Used to frame floor perimeter and large floor openings. Furnished in 10' [3m] lengths.



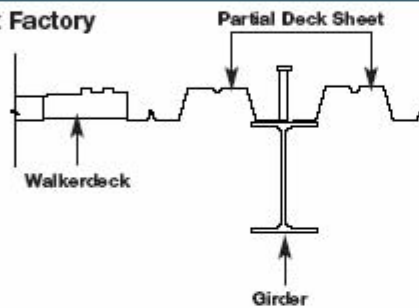
Custom No. – Consult Factory

Side Closure – Used to close space between floor deck and girder. Furnished in 10' [3m] lengths and in at least same gauge as deck.



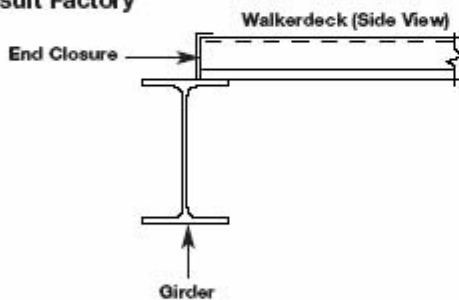
Custom No. – Consult Factory

Partial Deck Sheet – Used to close space between floor deck and girder. Typical panel width is 12" [305mm]. Made from same gauge as deck.



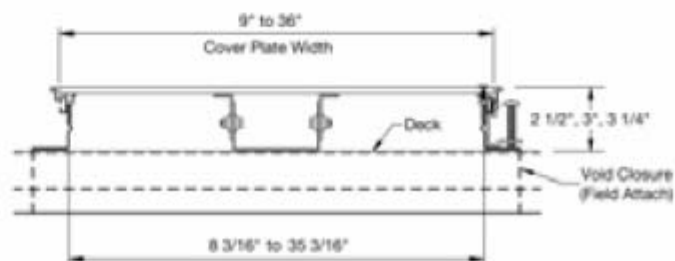
Custom No. – Consult Factory

End Closure – Used to close off ends of decking prior to concrete pour. Furnished in 10' [3.m] lengths.



Trenchduct Feeder – Cellular Deck Systems

The primary feeder system for the Cellular Deck Systems is Trenchduct. The trenchduct is typically furnished as a bottomless product to facilitate feeding the electrical cables into the cellular deck raceway. Roller leveled cover plates (1/4" [6.4mm] thick) are held in place with stainless steel screws. Reversible vinyl trim is included for tile floor covering. Aluminum and 3/8" [9.5mm] thick covers are available.



TRENCHDUCT (BOTTOMLESS)

Capacity: 18.4 sq. in. to 105.5 sq. in.

NOTE: The placement of the trenchduct will interrupt the structural continuity of the composite floor slab. Due to this interruption, the steel deck must carry the entire load of the floor at these locations. Additional supports may be required for the floor system at the trenchduct locations. Walker provides design assistance for the spacing of the supports, if required.

Walkerdeck Wire Fill Capacities – Power

| WIRE SIZE AWG | DIAMETER | | AREA (IN ²) | | WDR2 (4.3 SQ. IN. [2774 SQ. MM]) 40% FILL | WDR3 (8.5 SQ. IN. [5484 SQ. MM]) 40% FILL |
|------------------|----------|-------|-------------------------|---------|--|--|
| | Inches | [mm] | Sq In | [Sq mm] | | |
| 14 | .111 | [2.8] | 0.010 | [6.5] | 177 | 351 |
| 12 | .130 | [3.3] | 0.013 | [8.4] | 129 | 256 |
| 10 | .164 | [4.1] | 0.021 | [13.5] | 82 | 161 |
| 8 | .216 | [5.4] | 0.037 | [23.9] | 47 | 93 |
| 6 | .254 | [6.4] | 0.051 | [32.9] | 34 | 67 |
| 4 | .324 | [8.2] | 0.082 | [52.9] | 21 | 41 |

Walkerdeck Wire Fill Capacities – Communications

| | DIAMETER | | AREA (IN ²) | | WDR2 (11 SQ. IN. [7097 SQ. MM]) 40% FILL | WDR3 (18.8 SQ. IN. [12130 SQ. MM]) 40% FILL |
|----------------------------|----------|--------|-------------------------|---------|---|--|
| | Inches | [mm] | Sq In | [Sq mm] | | |
| UNSHIELDED TWISTED PAIR | | | | | | |
| 4-PAIR, CAT 5e | .220 | [5.6] | .038 | [24.5] | 116 | 198 |
| 4-PAIR, CAT 6 | .250 | [6.4] | .049 | [31.7] | 89 | 153 |
| TELEPHONE | | | | | | |
| 2-PAIR, 24 AWG | .140 | [3.5] | .015 | [9.7] | 285 | 488 |
| 4-PAIR, 24 AWG | .190 | [4.8] | .028 | [18.1] | 155 | 265 |
| 25-PAIR, 24 AWG | .410 | [10.4] | .132 | [85.2] | 33 | 56 |
| COAXIAL | | | | | | |
| RG58/U | .195 | [4.9] | .030 | [19.4] | 147 | 252 |
| RG59/U | .242 | [6.1] | .046 | [29.7] | 94 | 162 |
| RG6/U | .270 | [6.8] | .057 | [36.8] | 6 | 130 |
| SHIELDED TWISTED PAIR | | | | | | |
| TYPE 1 | .390 | [9.9] | .119 | [76.8] | 36 | 62 |
| TYPE 2 | .465 | [11.8] | .170 | [109.7] | 26 | 44 |
| TYPE 3 | .245 | [6.2] | .047 | [30.3] | 92 | 158 |
| FIBER OPTIC | | | | | | |
| 2-STRAND | .180 | [4.6] | .025 | [16.1] | 172 | 296 |
| 4-STRAND | .190 | [4.8] | .028 | [18.1] | 154 | 264 |
| 6-STRAND | .210 | [5.3] | .035 | [22.6] | 126 | 216 |
| FIBER ZIP CORD | .110 | [2.8] | .010 | [6.5] | 462 | 783 |

NOTE: Wire diameters can vary depending on manufacturer. Verify diameter and adjust fill capacities as required.

Fireproofing

Walkerdeck Cellular Deck Systems are structural elements of the floor system and become a part of the fire resistance of the floor system. In most cases, the floor system requires the direct application of the fireproofing material to the underside of the deck. Depending on the type of fireproofing material, deck type and activation kit used, the thickness of the fireproofing will vary. Typically, thicknesses range from 3/8" [9.5mm] to 1 1/4" [32mm]. The thickness required can be determined from the current *Underwriters Laboratories Fire Resistance Directory*, Design Numbers D739, D832, and D858. These are typical for use in steel frame construction and apply to the entire cellular floor assembly, not individual components. For other fire-rated design assemblies, contact your local sales representative.

Service Fittings

A wide variety of service fittings are available to meet many applications.

FloorPart flush and recessed activations for power and communication.



12620 Wilmot Road
Kenosha, WI 53142
Phone (877) 857-6400
Fax (262) 857-3533
www.cordeck.com

