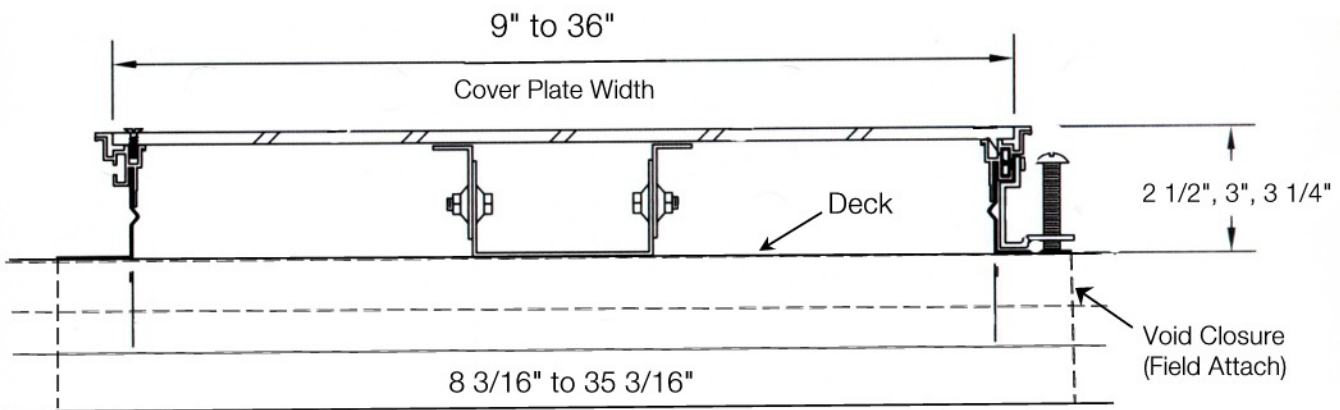










## TRENCHDUCT (BOTTOMLESS)



Capacity: 18.4 sq. in. to 105.5 sq. in.

## Features

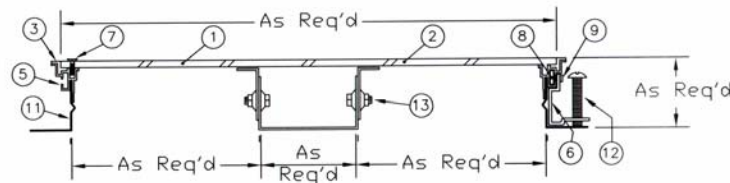
-  Coupling is simplified with side clip.
-  Adjustable before the pour-up to 3/4" (19mm).
-  Vinyl trim provides gasketing; aluminum trim also available.
-  Covers are relocatable to any location along the trench.
-  No weld construction. Making field modifications simple and easy.
-  Reversible tile trim supplied with standard assemblies.

# Designing The Trenchduct System

**Trenchduct Capacities (All capacities shown are Gross Area) square inches**  
 $10^3$  square millimeters

Trench Size	1 Compartment Trenchduct	2 Compartment Trenchduct		3 Compartment Trenchduct		
	Single Service	Power Compartment	Tel/Data Compartment	Power Compartment	Telephone Compartment	Data Compartment
<b>12" Wide x 2½" Deep</b> 305mm Wide x 65mm Deep	<b>25.1</b> 16.2	<b>3½" Wide: 8.0</b> 89mm Wide: 5.1	<b>17.0</b> 10.9	<b>3½" Wide: 7.9</b> 89mm Wide: 5.1	<b>8.5</b> 5.5	<b>8.5</b> 5.5
<b>12" Wide x ¾" Deep</b> 305mm Wide x 85mm Deep	<b>33.5</b> 21.6	<b>3½" Wide: 10.6</b> 89mm Wide: 6.8	<b>22.6</b> 14.6	<b>3½" Wide: 10.5</b> 89mm Wide: 6.8	<b>11.3</b> 7.3	<b>11.3</b> 7.3
<b>18" Wide x 2½" Deep</b> 457mm Wide x 65mm Deep	<b>38.7</b> 24.9	<b>4" Wide: 9.1</b> 102mm Wide: 5.9	<b>29.3</b> 18.9	<b>4" Wide: 9.0</b> 102mm Wide: 5.8	<b>14.7</b> 9.5	<b>14.7</b> 9.5
<b>18" Wide x ¾" Deep</b> 457mm Wide x 85mm Deep	<b>51.6</b> 33.3	<b>4" Wide: 12.2</b> 102mm Wide: 7.9	<b>39.2</b> 25.2	<b>4" Wide: 12.0</b> 102mm Wide: 7.7	<b>19.6</b> 12.6	<b>19.6</b> 12.6
<b>24" Wide x 2½" Deep</b> 610mm Wide x 65mm Deep	<b>52.2</b> 33.6	<b>5" Wide: 11.4</b> 127mm Wide: 7.3	<b>40.6</b> 26.2	<b>5" Wide: 11.2</b> 127mm Wide: 7.2	<b>20.3</b> 13.1	<b>20.3</b> 13.1
<b>24" Wide x ¾" Deep</b> 610mm Wide x 85mm Deep	<b>69.5</b> 44.9	<b>5" Wide: 15.2</b> 127mm Wide: 9.8	<b>54.2</b> 34.9	<b>5" Wide: 15.0</b> 127mm Wide: 9.6	<b>27.1</b> 17.4	<b>27.1</b> 17.4
<b>30" Wide x 2½" Deep</b> 762mm Wide x 65mm Deep	<b>65.6</b> 42.4	<b>6½" Wide: 14.7</b> 165mm Wide: 9.5	<b>50.8</b> 32.7	<b>6" Wide: 14.6</b> 165mm Wide: 9.4	<b>25.3</b> 16.3	<b>25.3</b> 16.3
<b>30" Wide x ¾" Deep</b> 762mm Wide x 85mm Deep	<b>87.5</b> 56.5	<b>6½" Wide: 19.6</b> 165mm Wide: 12.6	<b>67.7</b> 43.7	<b>6½" Wide: 19.5</b> 165mm Wide: 12.5	<b>33.8</b> 21.8	<b>33.8</b> 21.8
<b>36" Wide x 2½" Deep</b> 915mm Wide x 65mm Deep	<b>79.2</b> 51.1	<b>8" Wide: 18.1</b> 203mm Wide: 11.6	<b>60.9</b> 39.3	<b>8" Wide: 18.0</b> 203mm Wide: 11.6	<b>30.4</b> 19.6	<b>30.4</b> 19.6
<b>36" Wide x ¾" Deep</b> 915mm Wide x 85mm Deep	<b>105.5</b> 68.1	<b>8" Wide: 24.2</b> 203mm Wide: 15.6	<b>81.1</b> 52.3	<b>8" Wide: 24.0</b> 203mm Wide: 15.5	<b>40.6</b> 26.2	<b>40.6</b> 26.2

Notes: 1. Only a representative selection of trench sizes have been shown. 2. Compartment sizes and capacities may be changed by relocating partitions. 3. Actual capacities will vary depending on trench style. Those shown are based on VA style trench.



**Style VA (three Compartment - Bottomless)**  
**Also Available Full - Bottom**

## Callouts For Style VA Trenchduct

1. ¼" (6.4mm) thick roller leveled steel coverplate
2. Aluminum and ⅜" (9.5mm) thick steel covers available
3. Aluminum or vinyl trim – factory installed for carpet position and shipping position (reverse tile floors).
4. 16 gage (1.524mm) galvanized steel duct body.
5. Aluminum siderail with continuous screw slot.
6. Five function combination clip
  - A. Adjusts
  - B. Couples
  - C. Supports
  - D. Aligns
  - E. Anchors
7. Cover hold down screw – stainless steel
8. Combination clip securing plate.
9. Combination clip attaching screw.
10. Trenchduct leveling foot.
11. Galvanized steel siderail.
12. Leveling screw (shipped separately).
13. Adjustable compartment divider.
14. Power "U" compartment standard widths:
  - 12" wide trench = 3 ½" power compartment
  - 18" wide trench = 4" power compartment
  - 24" wide trench = 5" power compartment
  - 30" wide trench = 6 ½" power compartment
  - 36" wide trench = 8" power compartment